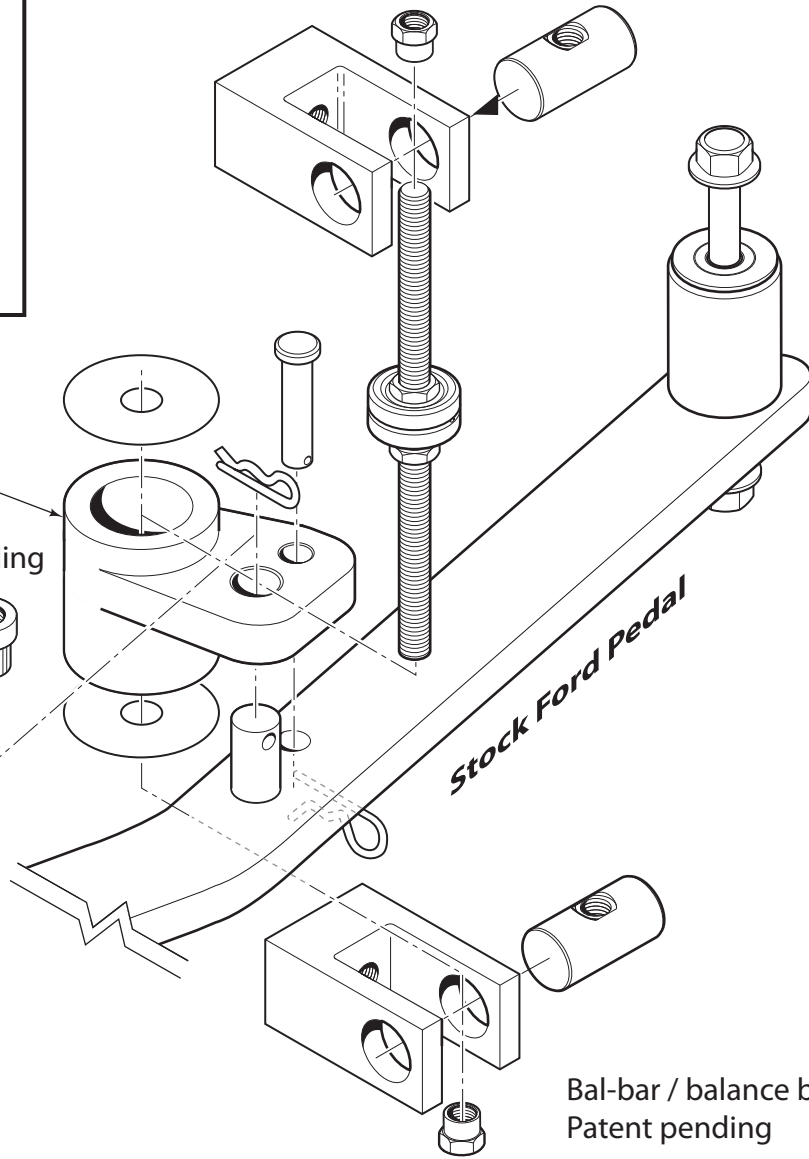


Bal-Bar™
#700130
Patent pending

7/16's clinch nut
(Chevy application)



Bal-bar / balance bar
Patent pending