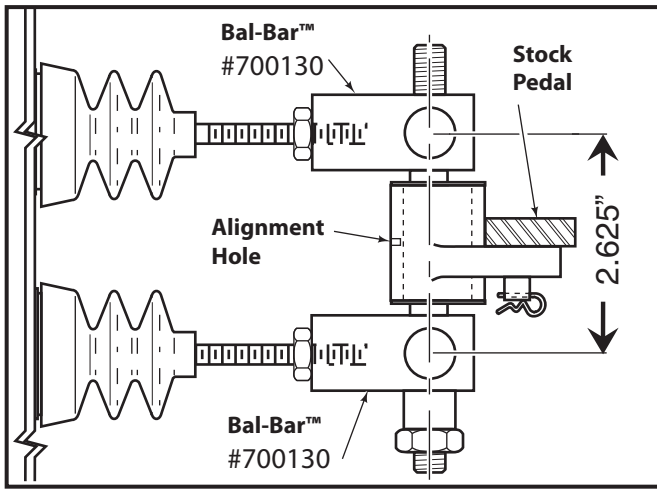


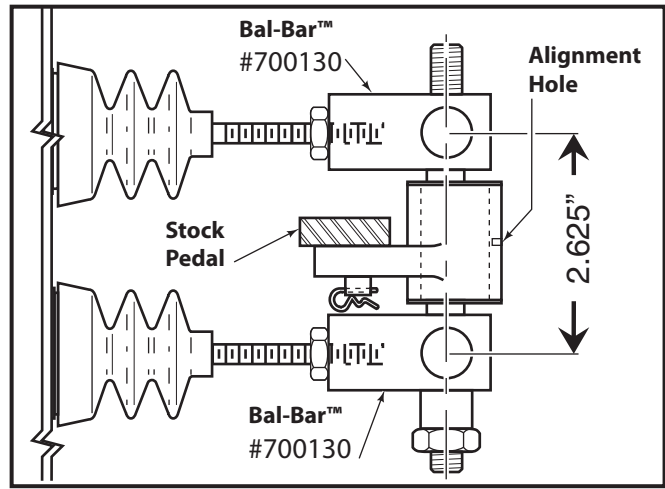
①

PROPER ALIGNMENT - STANDARD MOUNT

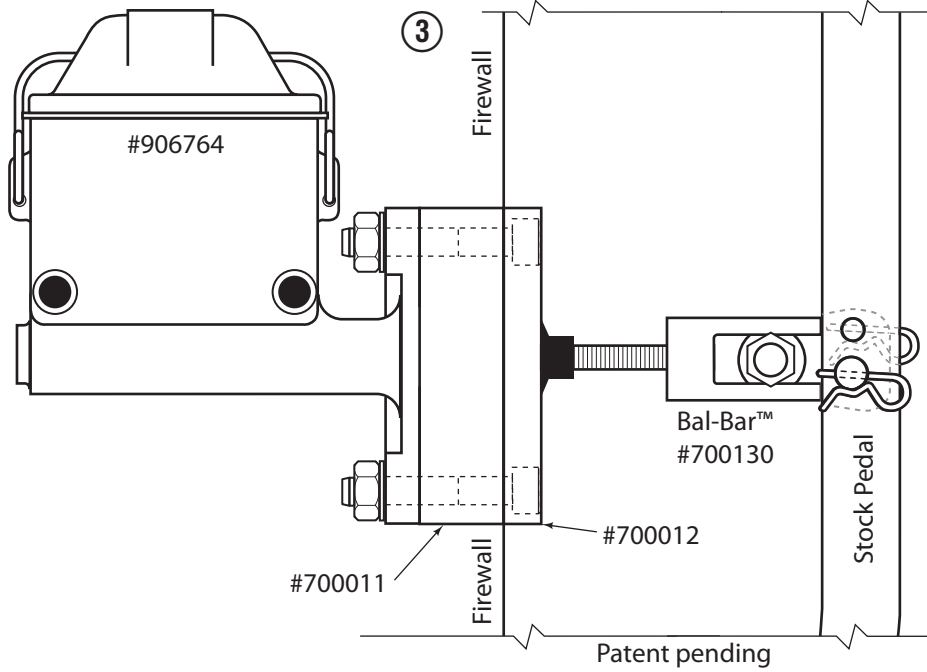


②

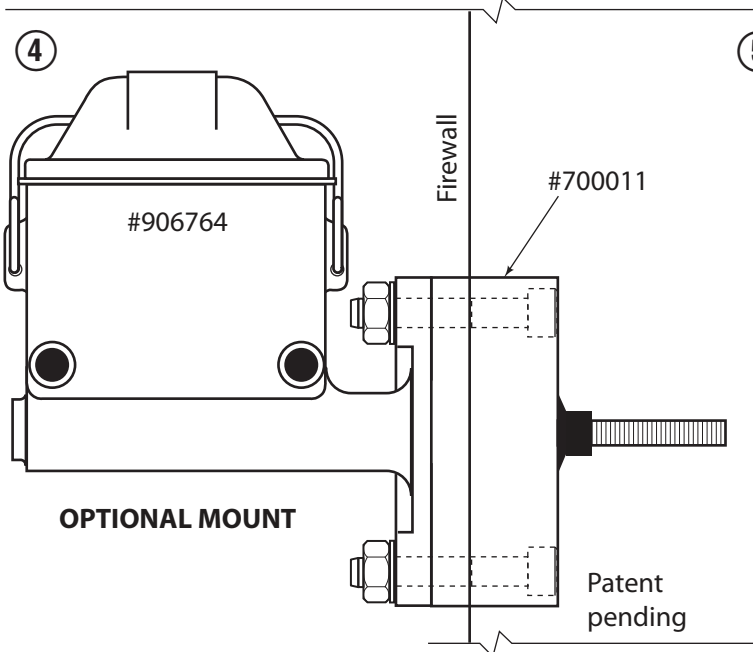
PROPER ALIGNMENT - REVERSE MOUNT



③



④



⑤

